

## Schoeps Replacement Parts 2016

Order Code	General Parts	Price
SCH377	Binder 5-pin Male Cable Connector	\$20.00
SCH378	Binder 5-pin Female Cable Connector	\$20.00
SCH379	Bottom base only with 5/8" - 27 thread for A 20, A 20 S, SG 20 etc., Metal, with screw	\$15.00
SCH380	Center-piece microphone cradle for A 20, A 20 S Elastic Suspensions	\$12.00
SCH427	Center-piece back-to-back cradle for AMS 22 Elastic Suspensions	\$63.00
SCH582	Clear plastic screw-top storage vial, <b>Short</b> , for all axially addressed MK capsules, e.g. MK4, MK41, MK5	\$6.00
SCH376	Clear plastic screw-top storage vial, <b>Tall</b> , use with MK6, MK8 and all other side address capsules	\$12.00
SCH544	Clear plastic twist-vial for CMC amplifier storage (without capsule)	\$6.00
SCH606	Clear plastic twist-vial for CMIT/SuperCMIT storage	\$6.00
SCH415	DC Connector for VMS 5U or current M222 "NT 222 DC" Power Supply (coaxial, non-threaded)	\$5.00
SCH383	Elastics Set for A 20 or ACA Elastic Suspensions (set of two)	\$6.00
SCH384	Elastics Set for A 20 S Elastic Suspension (set of two)	\$6.00
SCH466	Elastics Set for AMS 22 (set of two)	\$8.00
SCH385	End/Protection cap, gray plastic for CMC, CUT 1, GVC, KC 5g capsule side etc., each	\$2.00
SCH553	End/Protection cap, gray plastic for RC Tube amplifier side, each	\$5.30
SCH374	End/Protection cap, gray plastic for KC 5g amplifier side and AKI/2C, each	\$2.89
SCH424	Fuse for VMS 5U - 2A	\$2.50
SCH423	Fuse for VMS 5U - 500mA	\$2.50
SCH518	KMAB 1000 transport case for MAB 1000 and other stereo bars, molded plastic, foam lined	\$125.00
SCH439	Lemo Connector only (Cable mount) for Schoeps CCM Lemo version cables and "Servo-Reeler Systems"	\$35.00
SCH389	Metal sleeve for CMCni Amplifier, nickel finish (96 mm length), for early CMC bodies with a 3mm ID ring	\$45.00
SCH584	Metal sleeve for CMCni Amplifier, nickel finish (99 mm length), current size	\$45.00
SCH390	Metal sleeve for CMCg Amplifier, matte gray finish (96 mm length), for early CMC bodies with a 3mm ID ring	\$59.00
SCH585	Metal sleeve for CMCg Amplifier, matte gray finish (99 mm length), current size	\$59.00
SCH583	Screw for A20/A20S/SG20 to attach clip to base (Metal base)	\$4.00
SCH418	Screw with nut for <i>legacy</i> A20/A20S/SG20 to attach clip to base (Old style, for plastic base)	\$4.00
SCH412	Screw for CMCni Amplifier Body Sleeve (Nickel)	\$0.99
SCH413	Screw for CMCg Amplifier Body Sleeve (Black)	\$0.99
SCH565	Screw "Long" for CMIT 5U shell near base (NOT interference tube or LED button board) Torx TX6, with thread locking adhesive	\$3.00
SCH614	Screw "Short" for CMIT 5U Interference Tube (NOT shell near base or LED button board) Torx TX6, with thread locking adhesive	\$3.00
SCH468	SG 20 Clip only	\$10.00
SCH527	Silicone replacement bands for AC, Set of 4	\$15.00
SCH494	Stand Adaptor 3/8" and 1/2" Female to 5/8"-27 NS Male (Goes inside base of SG20, A20, etc..)	\$4.00
SCH469	STR Threaded Cap, gray	\$2.89
SCH522	VMS 5 DC-W power supply for 90-264 Volt AC, for VMS 5 or current NT 222 DC	\$52.00

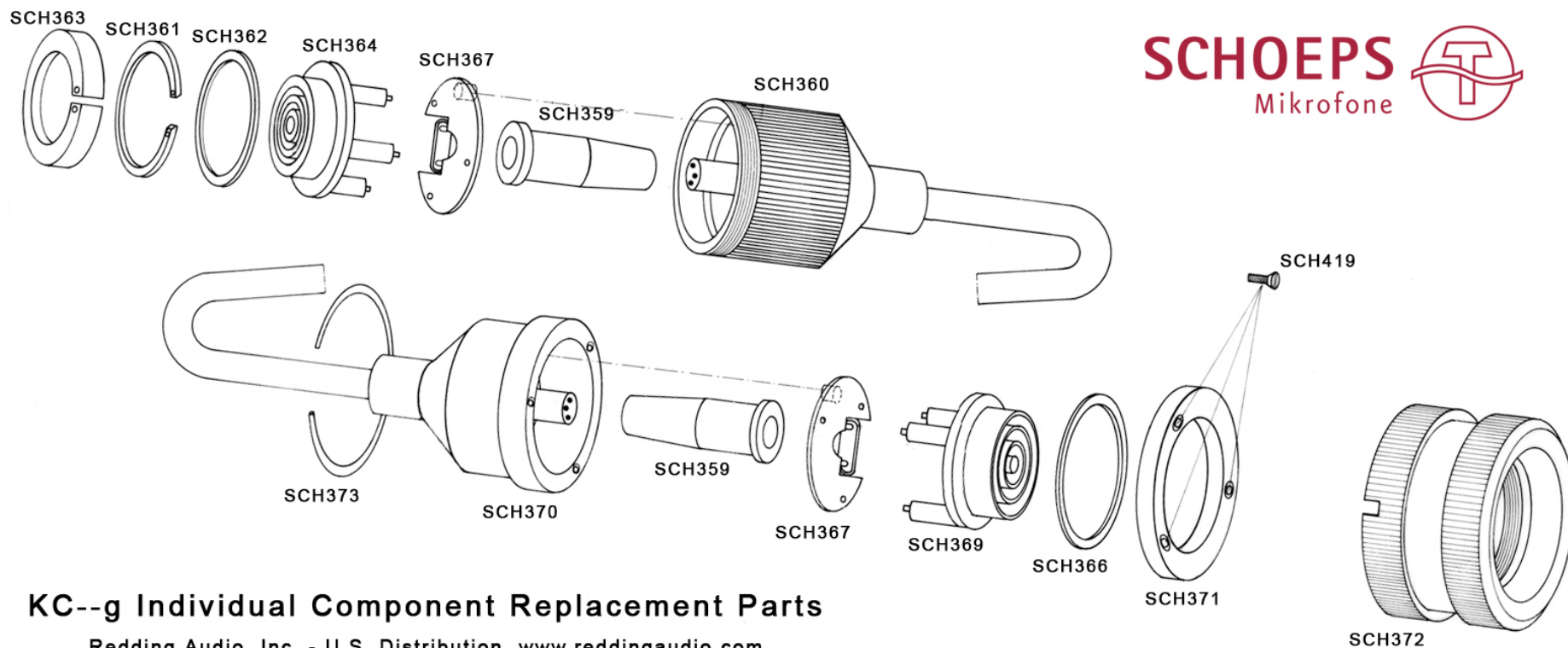
## Schoeps Replacement Parts 2016

SCH425	W 20 R1 Frame Basket Only	\$150.00
SCH426	W 20 R1 Fur Cover Only	\$58.00
SCH388	"Y"-clamp swivel plastic insert for SGC, ACA, TC etc., For KC- capsule connector, CMR or CCM-	\$2.50
SCH472	AMBK1 B&K Measurement Adaptor, for nickel plated MK2 capsules only	\$79.00
SCH607	Schoeps Torx TX Driver, for CMIT 5U screws	\$18.00
<b>Order Code Cases for Microphone Storage and Transport Price</b>		
SCH411	Wood Case for CMC Body(s) with MK Capsule, holds (2) microphones (or (1) mic and SG20), 6.7" x 4.2" x 1.9"	\$45.00
SCH609	Mono Colette Set Wood Case, holds single CMC/MK microphone, SG20, B5/B5D teardrop popscreen and CUT or GVC, 9" x 5" x 3"	\$52.00
SCH441	U.S. Stereo Set Wood Case, holds two CMC/MK microphones, (2) SG20 or A20 and teardrop popscreens & more, 9" x 9" x 3.5" <i>[limited quan</i>	\$25.00
SCH475	Wood Case for BLM 03 Cg	\$49.00
SCH557	Wood Case for CMH Handheld microphones	\$59.00
SCH495	Wood Case for CCM L or U Microphone and cable	\$49.00
SCH536	Wood Case for CMIT 5U shotgun	\$55.00
SCH416	Wood Case for M 222g Tube Amplifier Set	\$199.00
SCH539	Wood Case for MSTC 64g	\$59.00
<b>Order Code KC 5g Colette Cable End Components (See Diagram Page 4) Price</b>		
<i>Individual Components of Capsule-end (MK) of KC 5g Colette Cable</i>		
SCH367	Strain Relief Disc for KC	\$19.00
SCH359	Bend Protection Sleeve for KC	\$3.00
SCH360	KC Housing, Capsule Side, (without Components), matte gray	\$62.00
SCH361	Circlip for KC Housing Capsule Side	\$12.00
SCH362	Crimped Ring for KC Housing Capsule Side	\$7.00
SCH363	Spacer Ring for KC Housing Capsule Side	\$24.00
SCH364	KC Contacts Capsule Side with components	\$190.00
<i>Individual Components of Amplifier-end (CMC) of KC 5g Colette Cable</i>		
SCH366	Crimped Ring for KC Housing Amplifier Side	\$5.00
SCH367	Strain Relief Disc for KC	\$19.00
SCH359	Bend Protection Sleeve for KC	\$3.00
SCH369	KC Contacts Amplifier Side with Components	\$180.00
SCH370	KC Housing, Amplifier Side, (without Components), matte gray	\$52.00
SCH371	Cask Cover for KC Housing Amplifier Side	\$15.00
SCH372	Knurl for KC Housing Amplifier Side	\$45.00
SCH373	Circlip for Knurl for KC Housing Amplifier Side	\$2.00
SCH419	M 1X4 DIN 963 Screw	\$1.00
<b>Order Code Schoeps High-quality Raw Cable, Unterminated, Kevlar reinforced with Hytrel Insulating Material, per meter Price</b>		

## Schoeps Replacement Parts 2016

SCH545	CCM (Lemo-version) Cable, 2-wires plus shield, 3mm diameter, per meter (approx. 39")	\$12.00
SCH375	Colette Cable (for KC 5g), 3-wires plus shield, 4mm diameter, per meter (approx. 39")	\$8.00
SCH501	Microphone Cable (EMC, KS--), 4-wires plus shield, 4.4mm diameter, per meter (approx. 39")	\$12.00

Please note that clips and bases for the UMS20 are no longer available as spare parts. The UMS20 must be sent back to the factory for repair and of broken



### KC--g Individual Component Replacement Parts

Redding Audio, Inc. - U.S. Distribution [www.reddingaudio.com](http://www.reddingaudio.com)